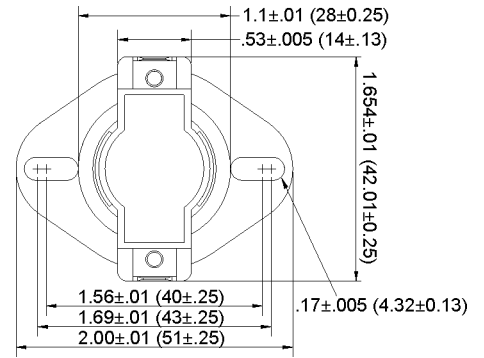
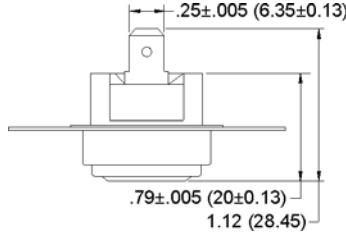
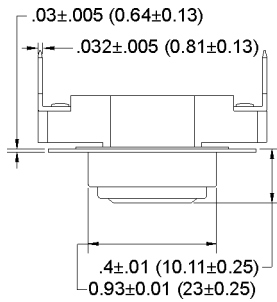


3/4" Disc Thermostats - Automatic Reset

SE (T10) Series - Airstream Mount



FEATURES

- 25 Amp capacity
- UL and CUL approved
- Factory calibrated to your specifications

APPLICATIONS

- H.V.A.C.
- Major appliances
- Medical/Lab equipment
- Commercial food eqpt.

Selco's direct sensing thermostats are larger than our standard thermostats, giving them an even more powerful bimetallic disc and a higher electrical rating. They are ideal for use with heating and air conditioning systems as well as with industrial equipment. These models are designed for maximum airflow around the thermostat to give quick and accurate response.

These units feature a bimetallic, temperature-sensitive disc for snap-action in opening and closing the switch contacts. The bimetallic disc is thermally and electrically insulated from the electrical circuit, eliminating self-heating effects. Only the temperature of the controlled equipment causes the switch to actuate. Switch operation is rapid and positive due to the characteristics of the bimetallic disc and the wiping action of the current-carrying contacts. Contact chattering is virtually eliminated, as is false cycling and sparking. Exposed disc and single operation models available.

Models available from stock - subject to availability
Fan Controls • SE-F - Close On-Rise (normally open)

Model Number	Temperature Ranges	
	Open °F	Close °F
SE-F060	40 ± 9	60 ± 5
SE-F090	70 ± 9	90 ± 5
SE-F100	100 ± 9	80 ± 5
SE-F110	90 ± 9	110 ± 5
SE-F120	100 ± 9	120 ± 5
SE-F130	110 ± 9	130 ± 5
SE-F140	120 ± 9	140 ± 5
SE-F219H*	180 ± 9	219 ± 5

* Horizontal terminals

SPECIFICATIONS

Electrical ratings	120VAC, 240VAC, 25 Amps, Resistive, 60Hz 120VAC, 10FLA, 60LRA, 60Hz, Inductive 240VAC, 5FLA, 30LRA, 60Hz, Inductive 100,000 Cycles
Temperature range (UL Models)	33°F to 302°F (1°C to 150°C)
Temperature range (Non-UL Models)	302°F to 350°F (150°C to 177°C)
Differential	14°F to 100°F (8°C to 56°C) - SPST Models 27°F to 100°F (15°C to 56°C) - SPDT Models
Dielectric strength	1,500VAC/1 minute
Approvals	UL Recognized File No. E145478(S), XAPX2 C-UL Recognized File No. E145478, XAPX8

Models available from stock - subject to availability
Limit Controls • SE-L - Open On-Rise (normally closed)

Model Number	Temperature Ranges	
	Open °F	Close °F
SE-L120	120 ± 7	106 ± 9
SE-L130	130 ± 7	115 ± 9
SE-L135	135 ± 7	110 ± 9
SE-L140	140 ± 7	100 ± 9
SE-L145	145 ± 7	120 ± 9
SE-L150	150 ± 7	110 ± 9
SE-L150-A	150 ± 7	125 ± 9
SE-L150-D	150 ± 7	130 ± 9
SE-L160	160 ± 7	120 ± 9
SE-L170	170 ± 7	130 ± 9
SE-L175	175 ± 7	155 ± 9
SE-L180	180 ± 7	150 ± 9
SE-L180A	180 ± 7	140 ± 9
SE-L190	190 ± 7	150 ± 9
SE-L194H*	194 ± 7	180 ± 9
SE-L200	200 ± 7	160 ± 9
SE-L210	210 ± 7	170 ± 9
SE-L230	230 ± 7	190 ± 9
SE-L240	240 ± 7	215 ± 9
SE-L250	250 ± 7	210 ± 9
SE-L255	255 ± 7	230 ± 9
SE-L300	300 ± 7	250 ± 9
SE-L325	325 ± 7	275 ± 9
SE-L350	350 ± 7	310 ± 9

* Horizontal terminals

It is the customer's sole responsibility to specify and determine the suitability of a particular control or component based on their unique individual applications and requirements

(714) 917-1333 • (800) 257-3526 • FAX (714) 917-1355 • E-mail: sales@selcoproducts.com